

**Drive Cliq IP20 / M12 fem. 0° shielded 8p.**

Spezifikation: 6FX8002-2DC30-1CD0

Female straight – male straight

Plastic housings with good resistance against chemicals and oils.

M12, 8-pole

DRIVE-CLiQ IP20, 10-pole

partly used

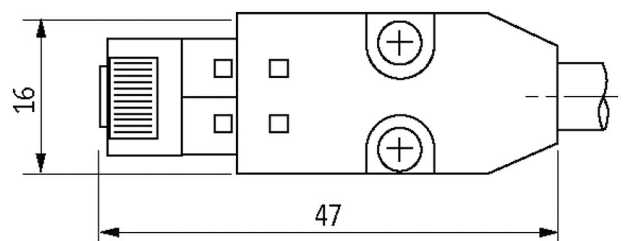
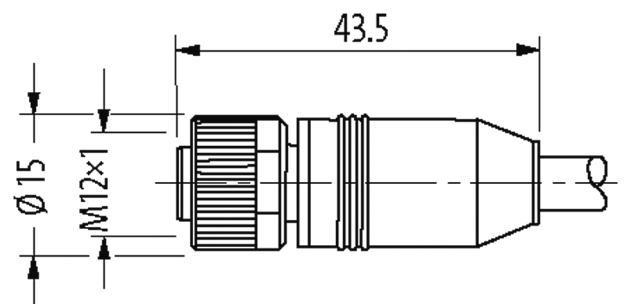
shielded

without cable sleeves

Ethernet CAT5

Further cable lengths on request.

The resistance to aggressive media should be individually tested for your application. Further details on request.

**Link to Product****Illustration**

Product may differ from Image

**More Info**

EtherNet/IP

**Form**

Form SS071

**General data**

Pollution Degree 3

Temperature range -20...+80 °C, depending on cable quality

| Cables                                    |  |
|---|--|
| Cable number                              | 880  |
| No./diameter of wires                     | 2 × 2 × 0.20 + 1 × 2 × 0.38                                      |
| Wire isolation                            | PO (gnye, pkbl, rdbk)  |
| C-track properties                        | 5 Mio.   |
| Jacket Color                              | green  |
| Material (jacket)                         | PUR (UL/CSA)   |
| Outer Ø                                   | 6.9 mm ±5%   |
| Bend radius (moving)                      | 10 × outer Ø   |
| Temperature range (fixed)                 | -20...+80 °C   |
| Temperature range (mobile)                | -20...+60 °C   |
| Shield                                    | yes  |
|   | min. 85%   |
| Material (jacket)                         | PUR  |
| Torsion stress                            | ±30 °/m  |
| Specification                             | MC800+ (6FX8008-1DC00)   |
| Technical Data                            |  |
| Operating voltage                         | max. 30 V AC/DC  |
| Rated surge voltage                       | 0.5 kV   |
| Operating current per contact             | max. 1.76 A  |
| Material group                            | IEC 60664-1, category II   |
| Transfer parameters                       | CAT5, Class D (ISO/IEC 11801:2002), (EN 50173-1)                 |
| Transfer rate                             | up to 100 Mbit/s full duplex                                     |
| Coding                                    | A-coded  |
| Locking of ports                          | Screw thread (M12×1 mm) recommended torque 0.6 Nm, self-securing |
| Compression gland                         | M12 (SW13)   |
| Protection                                | IP67 (M12) - IP20 (DRIVE-CLiQ)                                   |
| Locking material                          | Zinc die casting, matte nickel plated                            |
| Material                                  | PUR  |
| suitable for corrugated tube (internal Ø) | without  |
| Commercial data                           |  |
| country of origin                         | DE   |
| customs tariff number                     | 85444210   |
| EAN                                       | 4048879699044  |
| eClass                                    | 27061801   |
| Packaging unit                            | 1  |